

DATA OUTPUT

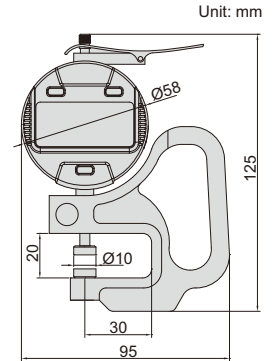
DIGITAL THICKNESS GAGES

- Ceramic spindle tip and anvil
- Button function: on/off, inch/mm, zero, data preset, change measuring direction, absolute/incremental measurement
- Keep preset data in memory after restart
- CR2032 battery, automatic power off (time is adjustable)
- Data output
- Optional accessory: data output cable (code 7315-50M, 7302-50M)

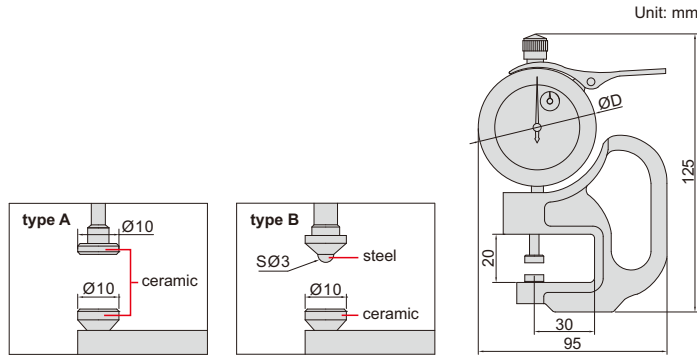
| Code | Range | Resolution | Accuracy |
|----------|---------------|------------------|----------|
| 2871-10 | 0-10mm/0-0.4" | 0.01mm/0.0005" | ±0.02mm |
| 2871-101 | 0-10mm/0-0.4" | 0.001mm/0.00005" | ±0.005mm |



2871-101



THICKNESS GAGES



| Code | Range | Graduation | Accuracy | Type | ØD |
|----------|--------|------------|----------|------|------|
| 2364-10 | 0-10mm | 0.01mm | ±0.02mm | A | 58mm |
| 2364-10B | 0-10mm | 0.01mm | ±0.02mm | B | 58mm |
| 2364-1 | 0-1mm | 0.001mm | ±0.005mm | A | 56mm |

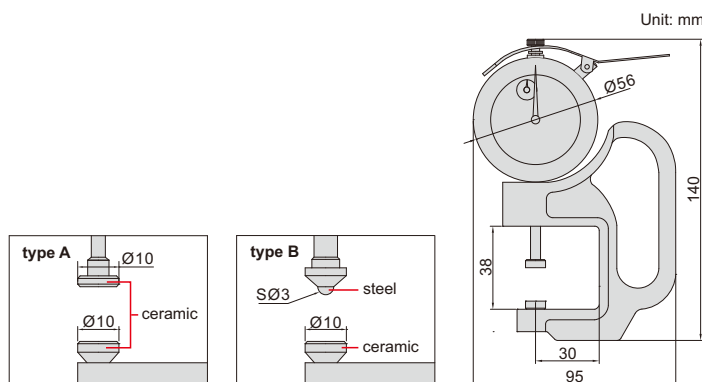


2364-10



2364-1

THICKNESS GAGES



| Code | Range | Graduation | Accuracy | Type |
|----------|--------|------------|----------|------|
| 2366-30 | 0-30mm | 0.01mm | ±0.035mm | A |
| 2366-30B | 0-30mm | 0.01mm | ±0.035mm | B |

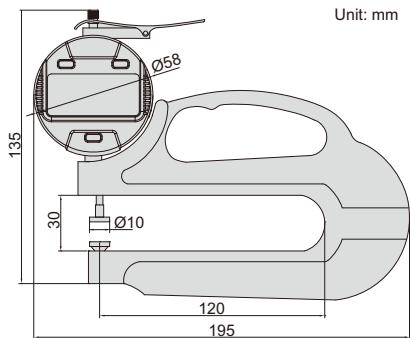


2366-30

DIGITAL THICKNESS GAGES

DATA
OUTPUT

measuring tips
and anvils can be
custom-made

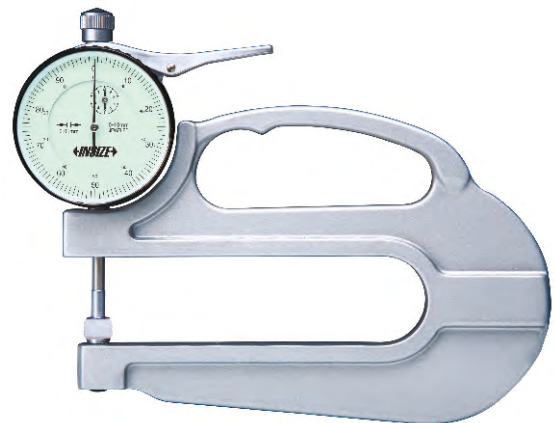
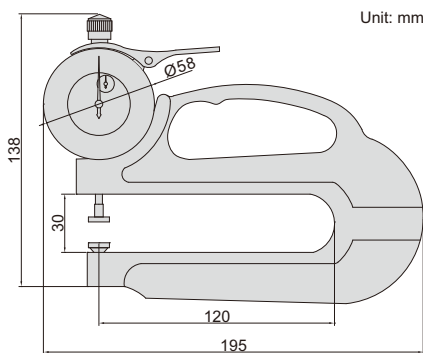
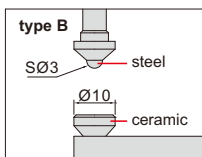
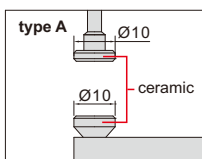


2872-10

- Ceramic spindle tip and anvil
- Buttons: on/off, inch/mm, zero, data preset, change measuring direction, absolute/incremental measurement
- Keep preset data in memory after restart
- Battery CR2032, automatic power off (time is adjustable)
- Data output
- Optional accessory: data output cable (code 7315-50M, 7302-50M)

| Code | Range | Resolution | Accuracy |
|----------|---------------|------------------|----------|
| 2872-10 | 0-10mm/0-0.4" | 0.01mm/0.0005" | ±0.02mm |
| 2872-101 | 0-10mm/0-0.4" | 0.001mm/0.00005" | ±0.01mm |

THICKNESS GAGES



2365-10

measuring tips
and anvils can be
custom-made



| Code | Range | Graduation | Accuracy | Type |
|----------|--------|------------|----------|------|
| 2365-10 | 0-10mm | 0.01mm | ±0.02mm | A |
| 2365-20 | 0-20mm | 0.01mm | ±0.03mm | A |
| 2365-10B | 0-10mm | 0.01mm | ±0.02mm | B |
| 2365-20B | 0-20mm | 0.01mm | ±0.03mm | B |

DATA
OUTPUT

DIGITAL ROLLER THICKNESS GAGES

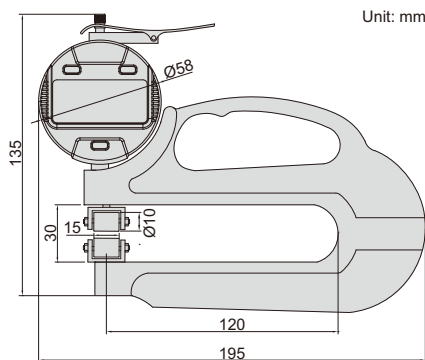


2877-4

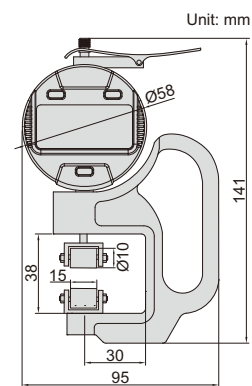


2877-10

- Buttons: on/off, inch/mm, zero, data preset, change measuring direction, absolute/incremental measurement
- Keep preset data in memory after restart
- Battery CR2032, automatic power off (time is adjustable)
- Data output
- Optional accessory: data output cable (code 7315-50M, 7302-50M)



2877-4



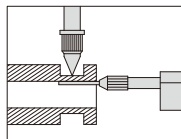
2877-10

| Code | Range | Resolution | Accuracy |
|---------|-----------------|----------------|----------|
| 2877-4 | 0-4.5mm/0-0.18" | 0.01mm/0.0005" | ±0.02mm |
| 2877-10 | 0-10mm/0-0.4" | 0.01mm/0.0005" | ±0.02mm |

DATA
OUTPUT

DIGITAL TUBE THICKNESS GAGE

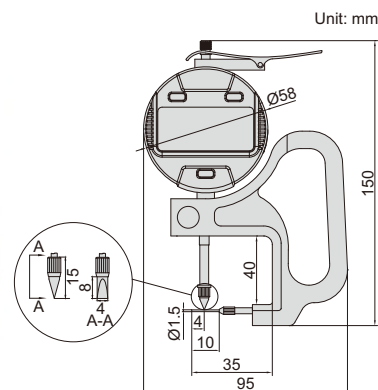
measure wall
thickness of grooves



- Buttons: on/off, inch/mm, zero, data preset, change measuring direction, absolute/incremental measurement
- Keep preset data in memory after restart
- Battery CR2032, automatic power off (time is adjustable)
- Data output
- Optional accessory: data output cable (code 7315-50M, 7302-50M)



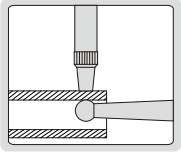
2873-10



| Code | Range | Resolution | Accuracy |
|---------|---------------|----------------|----------|
| 2873-10 | 0-10mm/0-0.4" | 0.01mm/0.0005" | ±0.02mm |

DIGITAL TUBE THICKNESS GAGE

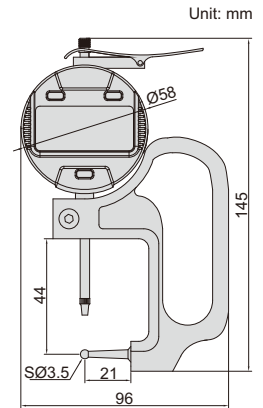
DATA
OUTPUT



- Buttons: on/off, inch/mm, zero, data preset, change measuring direction, absolute/incremental measurement
- Keep preset data in memory after restart
- Battery CR2032, automatic power off (time is adjustable)
- Data output
- Optional accessory: data output cable (code 7315-50M, 7302-50M)



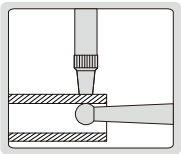
2876-10



| Code | Range | Resolution | Accuracy |
|---------|---------------|----------------|----------|
| 2876-10 | 0-10mm/0-0.4" | 0.01mm/0.0005" | ±0.02mm |

8

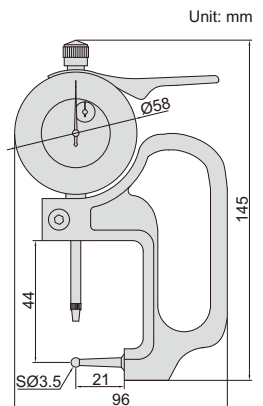
TUBE THICKNESS GAGE



- Measure tube wall thickness



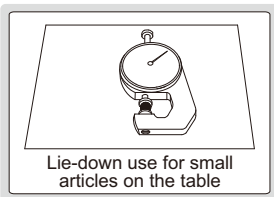
2367-10A



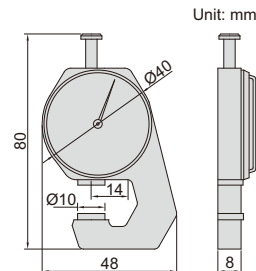
| Code | Range | Graduation | Accuracy |
|----------|--------|------------|----------|
| 2367-10A | 0-10mm | 0.01mm | ±0.02mm |

THICKNESS GAGE

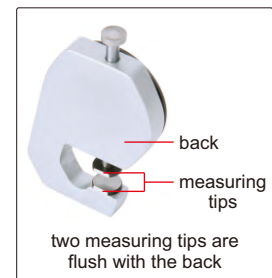
SUITABLE FOR
JEWELLERY



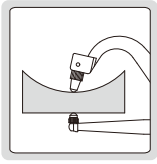
2361-10



| Code | Range | Graduation | Accuracy |
|---------|--------|------------|----------|
| 2361-10 | 0-10mm | 0.1mm | ±0.05mm |



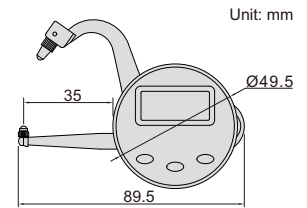
DIGITAL THICKNESS GAGE



- Resolution: 0.01mm, 0.001", 1/64"
- Buttons: on/off, zero, unit (mm/in/fraction), data hold
- Battery CR2032, automatic power off



2710-25



| Code | Range | Accuracy | Repeatability |
|---------|---------------|----------|---------------|
| 2710-25 | 0-25.4mm/0-1" | 0.05mm | 0.02mm |

8

DIAL SNAP GAGES

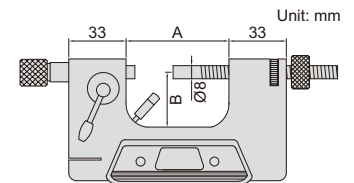
ATTENTION: NOT SUITABLE FOR 0.001MM DIAL INDICATORS

- Quick measurement for mass production
- Anvil retracting stroke: 3mm
- Measuring force: 6-9N
- Carbide measuring faces
- Optional accessory: dial indicators (graduation 0.01mm), digital indicators (resolution 0.01mm/0.0005")



2184-50W

| Code | Range | A | B |
|-----------|-----------|-------|-------|
| 2184-25W | 0-25mm | 34mm | 18mm |
| 2184-50W | 0-50mm | 62mm | 32mm |
| 2184-100W | 50-100mm | 112mm | 62mm |
| 2184-150W | 100-150mm | 162mm | 85mm |
| 2184-200W | 150-200mm | 212mm | 110mm |



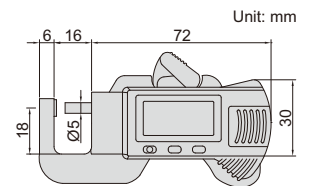
DIGITAL SNAP GAGE

ATTENTION: NO DATA OUTPUT



2166-12

| Code | Range | Resolution | Accuracy |
|---------|---------------|----------------|----------|
| 2166-12 | 0-12mm/0-0.5" | 0.01mm/0.0005" | ±0.03mm |



DIGITAL SNAP GAGE

ATTENTION: NO DATA OUTPUT



2167-25

| Code | Range | Resolution | Accuracy |
|---------|-------------|----------------|----------|
| 2167-25 | 0-25mm/0-1" | 0.01mm/0.0005" | ±0.03mm |

